

ONE PHASE POWER DISTRIBUTION BLOCKS

- Speed of mounting and wiring
- IP20 Finger Safe
- DIN Rail or Panel Mount
- Blocks fit with other DIN Rail mountable modular devices (height 95mm, depth 44.5mm)
- Accessories increase the number of outputs with only one input.

38049

38041



Part Number:

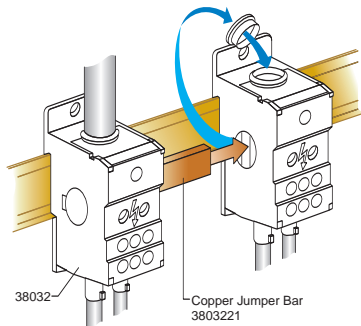
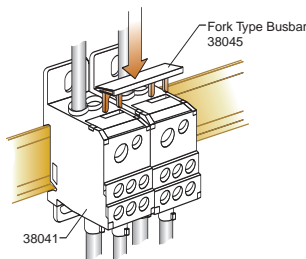
White	38049	38041
-------	-------	-------

Gray (RoHS compliant)	DB16	DB35
-----------------------	------	------

Approvals



Current Rating	80A	80A	115A	125A
Voltage Rating	600V AC	690V AC	600V AC	690V AC
No. of Inputs	1	1	1	1
Wire Range	8-4 AWG	6-16mm ²	8-2 AWG	10-35mm ²
Torque	13.5lb. in.	1.5Nm	31lb. in. (40 for DB35)	3.5Nm
No. of Outputs	5	5	6	6
Wire Range	2x8-4 AWG	2x6-16mm ²	14-6 AWG	2.5-16mm ²
Torque	13.5lb. in.	1.5Nm	17.5lb. in.	2Nm
Wire Range	3x14-10 AWG	3x2.5-6mm ²		
Torque	7.2lb. in.	0.8Nm		

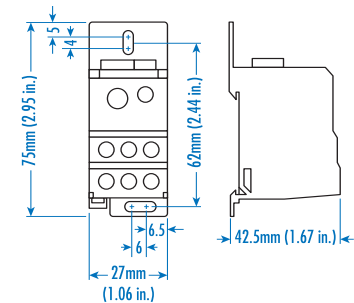
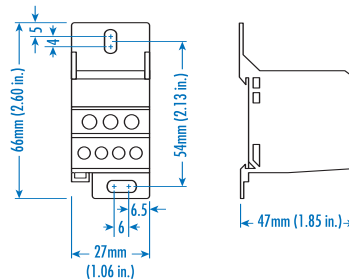


Optional Marking Tag (for DB16 and DB35)

MT2

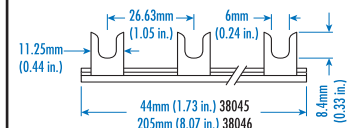
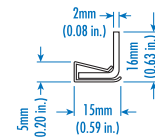
MT2

Dimensions:



Accessories Part Number:

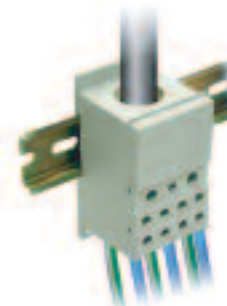
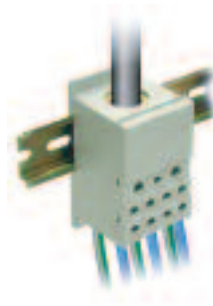
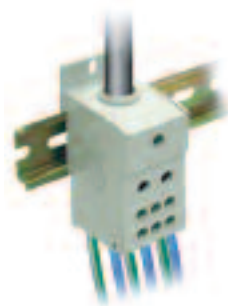
Fork Type Busbar
38045 to jump 2 Blocks
38046 to jump 8 Blocks
can be cut to customer needs



38032

38020

38019



Part Number:

38032

38020

38019

Approvals



Current Rating

160A

160A

230A

250A

310A

400A

Voltage Rating

600V AC

690V AC

600V AC

690V AC

600V AC

690V AC

No. of Inputs

1

1

1

1

1

1

Wire Range

8-2/0AWG

10-70mm²

2-4/0AWG

35-120mm²

3/0-350kcmil

95-185mm²

Torque

35.5lb. in.

4Nm

170lb. in.

19Nm

230lb. in.

25Nm

No. of Outputs

6

6

11

11

11

11

Wire Range

14-6 AWG

2.5-16mm²

2x 14-2AWG

2.5-35mm²

2x 14-2AWG

2.5-35mm²

Torque

17.5lb. in.

2Nm

31lb. in.

3.5Nm

31lb. in.

3.5Nm

Wire Range

14-6 AWG

2.5-16mm²

5x 14-6AWG

2.5-16mm²

5x 14-6AWG

2.5-16mm²

Torque

17.5lb. in.

2Nm

17.5lb. in.

2Nm

17.5lb. in.

2Nm

Wire Range

4x 14-8AWG

2.5-10mm²

4x 14-8AWG

2.5-10mm²

4 x 14-8AWG

2.5-10mm²

Torque

17.5lb. in.

2Nm

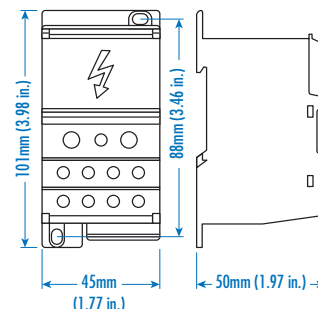
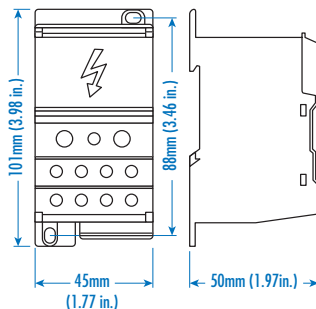
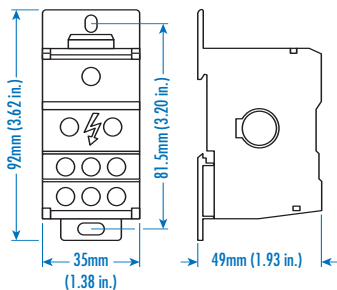
17.5lb. in.

2Nm

17.5lb. in.

2Nm

Dimensions:



Accessories

Part Number:

Copper Jumper Bar
 3803221 for 2 Blocks
 3803231 for 3 Blocks
 3803241 for 4 Blocks
 can be cut to customer needs

